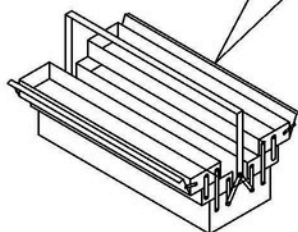
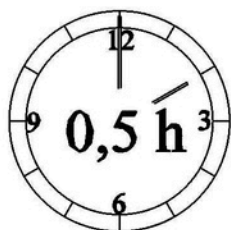
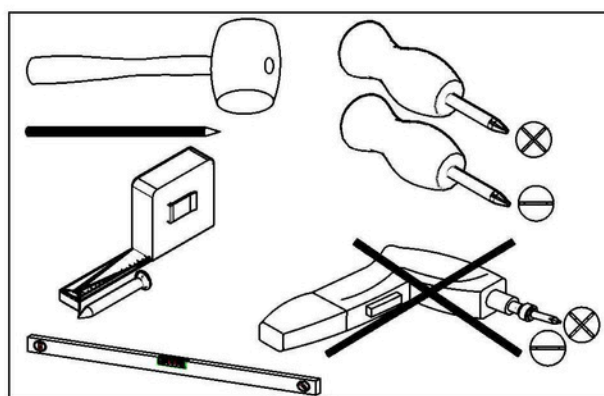
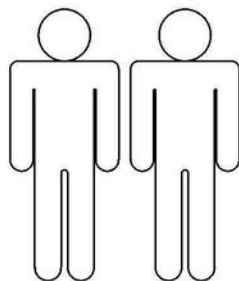
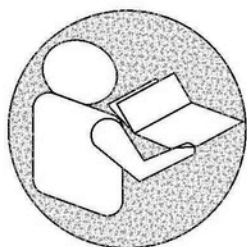
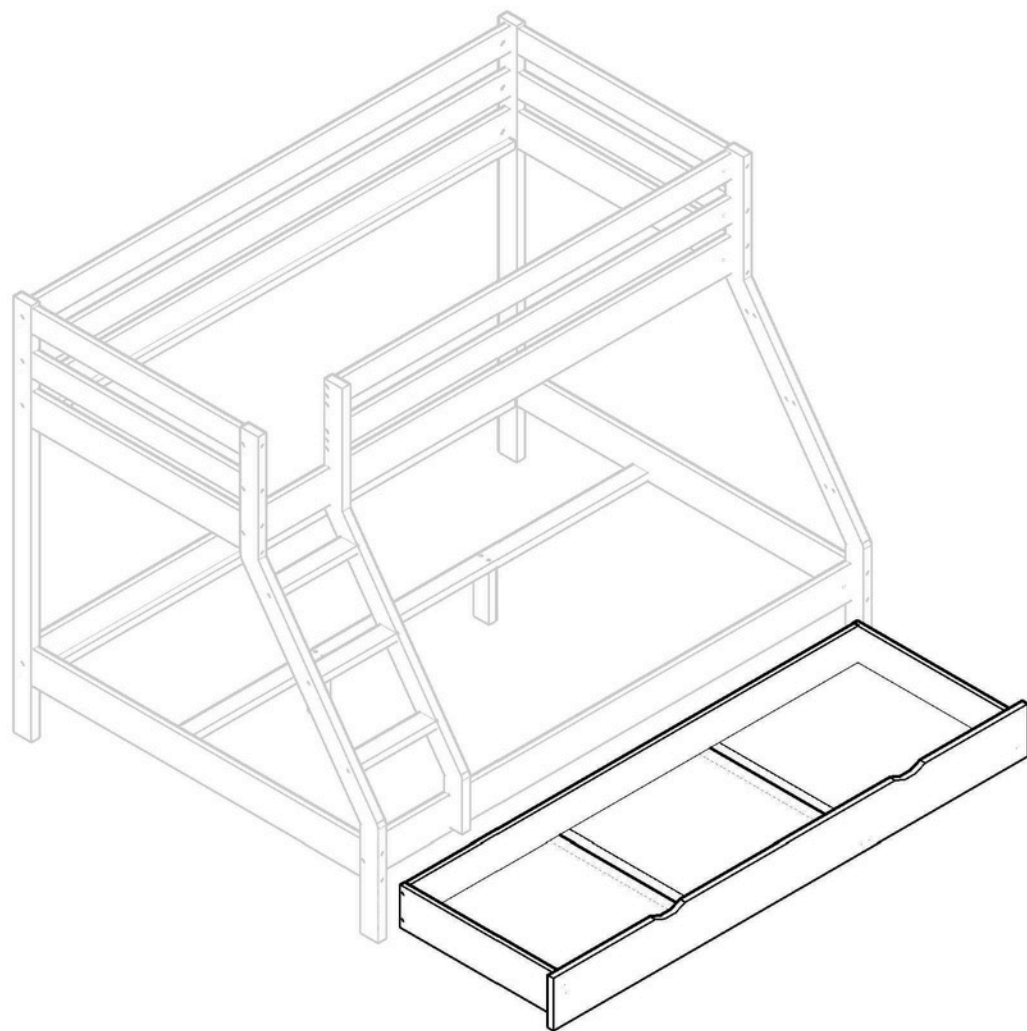
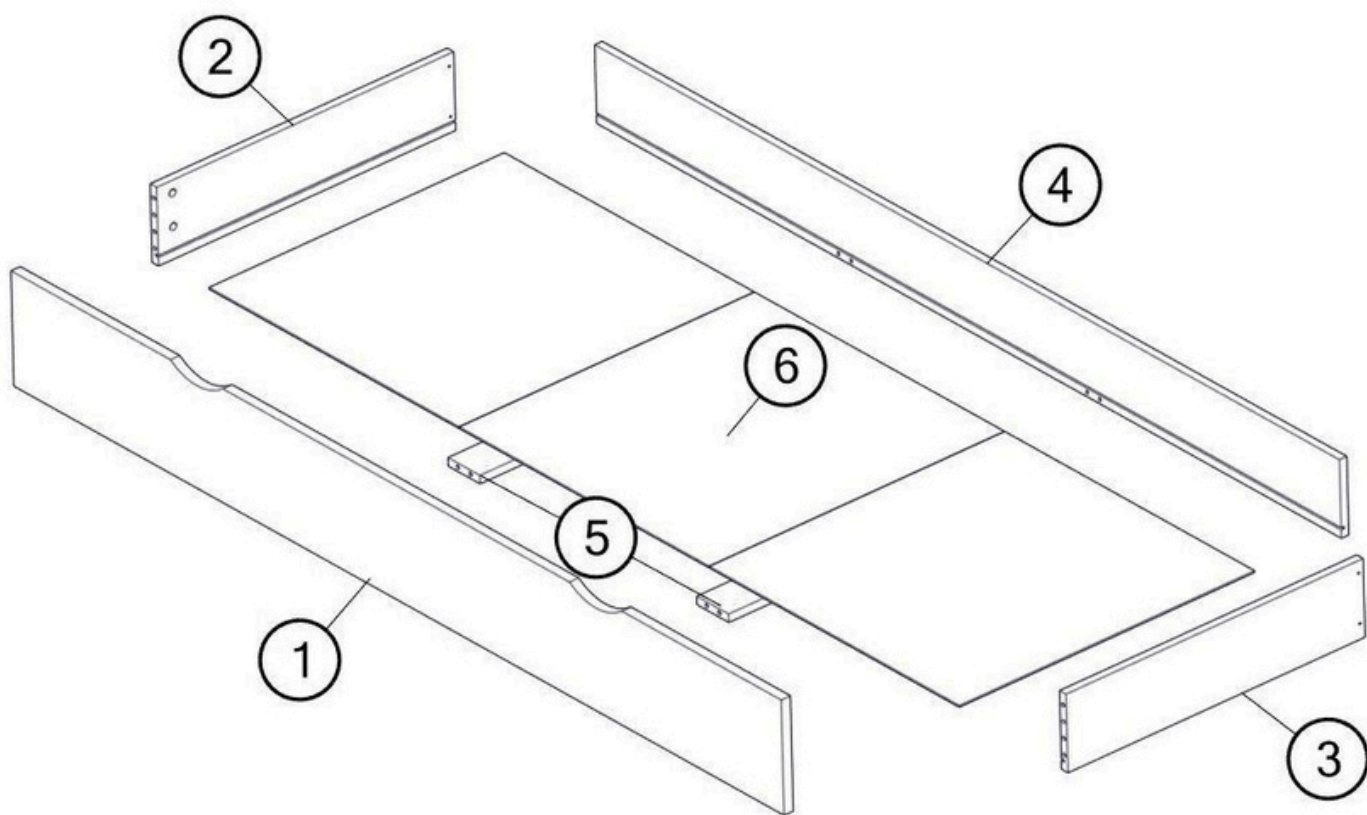
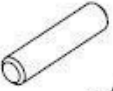





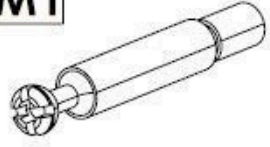
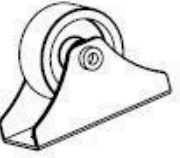
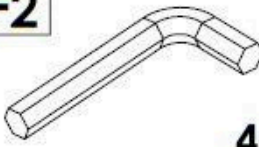


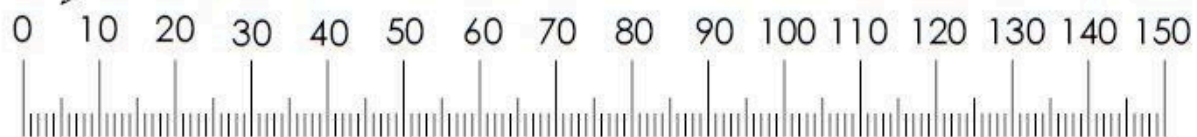
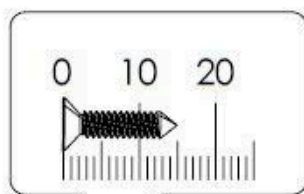
ANAPURNA



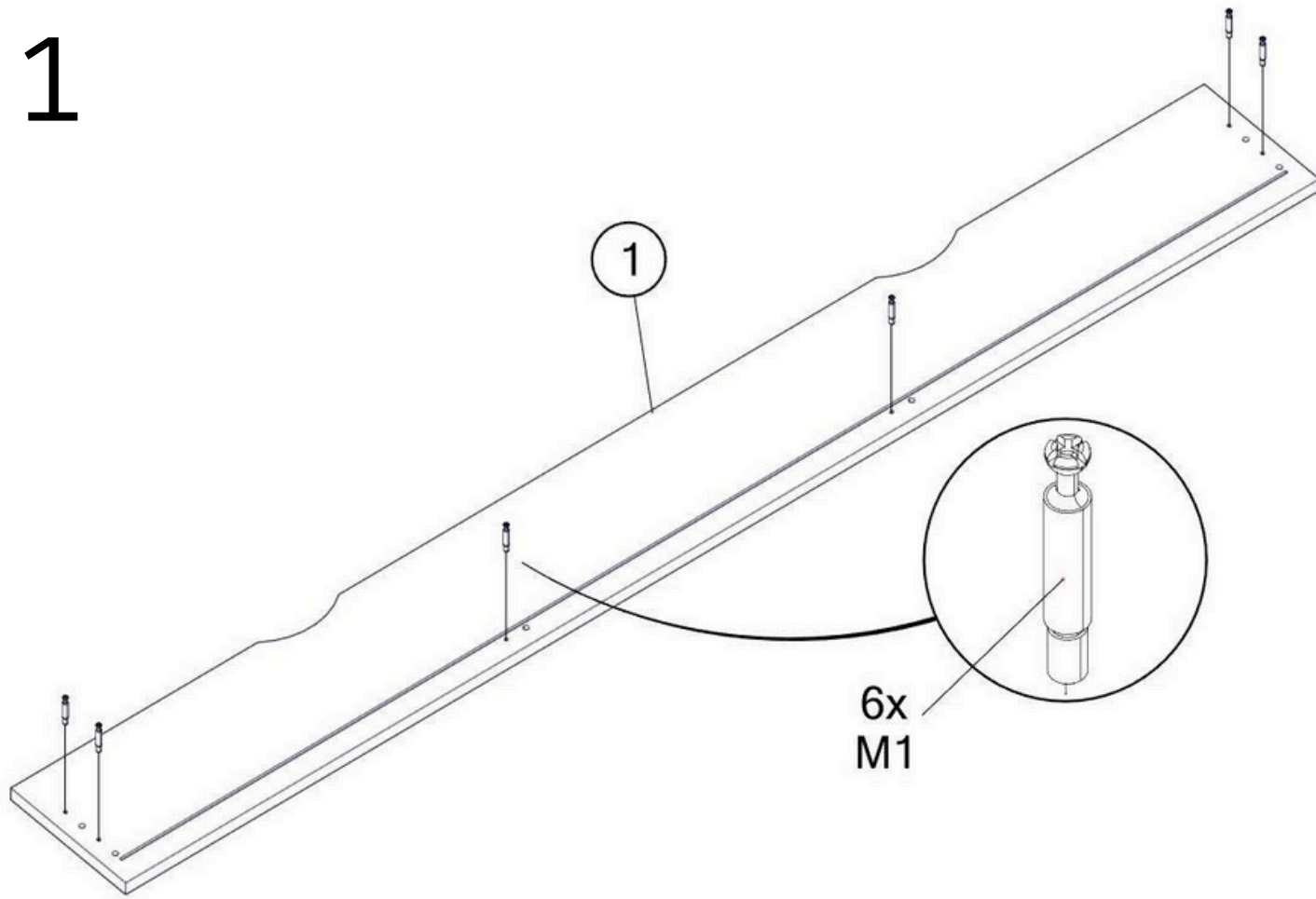


1	x1	1932x220x20 1974X185X20		
2	x1	650	150	16
3	x1	650	150	16
4	x1	1868	150	16
5	x2	632	80	16
6	x3	627	646	3

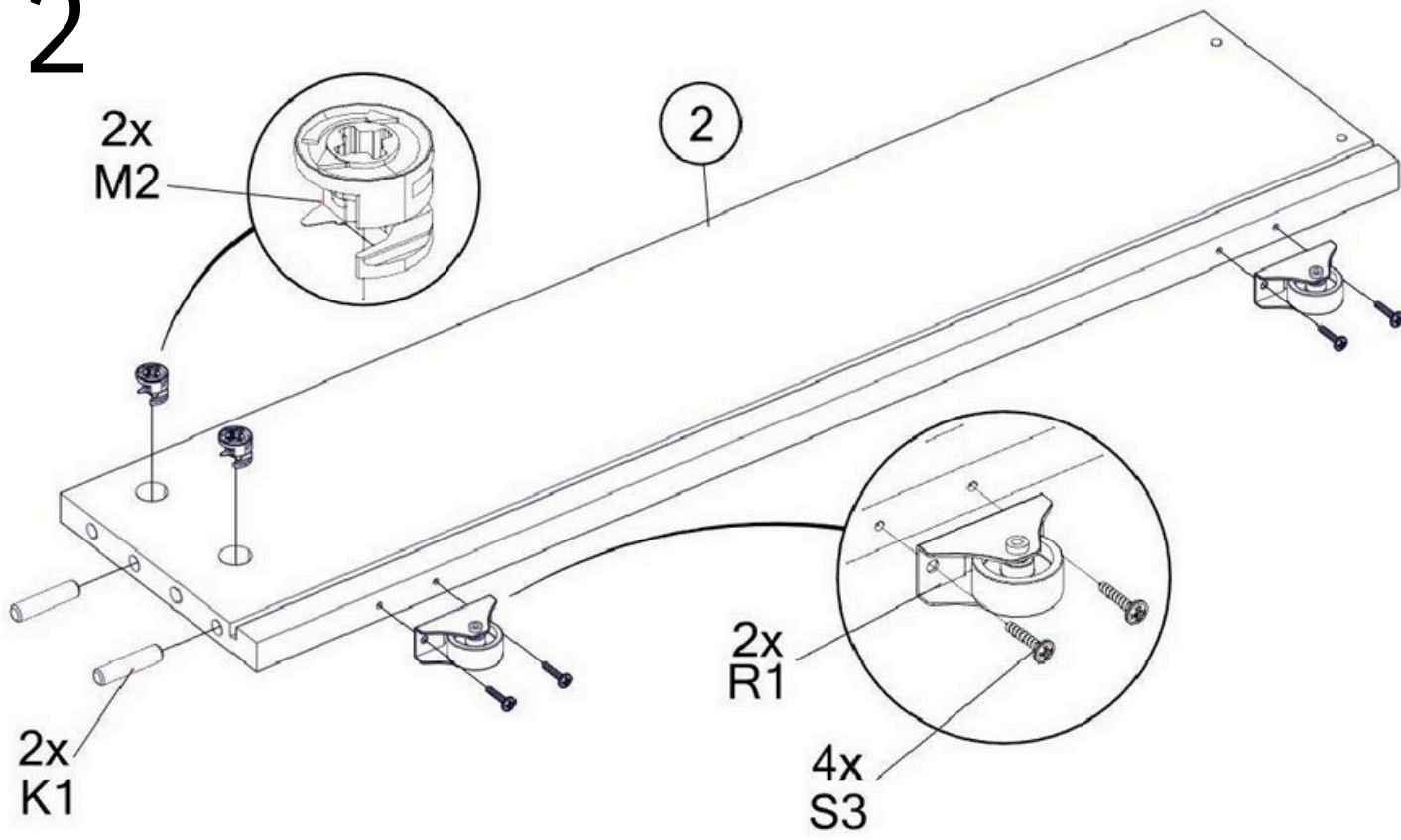
K1	x6	S3	x8	S6	x4
	$\varnothing 8 \times 35$		$\varnothing 3,5 \times 16$		$\varnothing 3,5 \times 35$
C5	x4	E5	x8	M2	x6
	$\varnothing 7 \times 50$		$\varnothing 1,2 \times 16$		$\varnothing 15$
M1	x6	R1	x4	F2	x1
			$\varnothing 30$		4mm



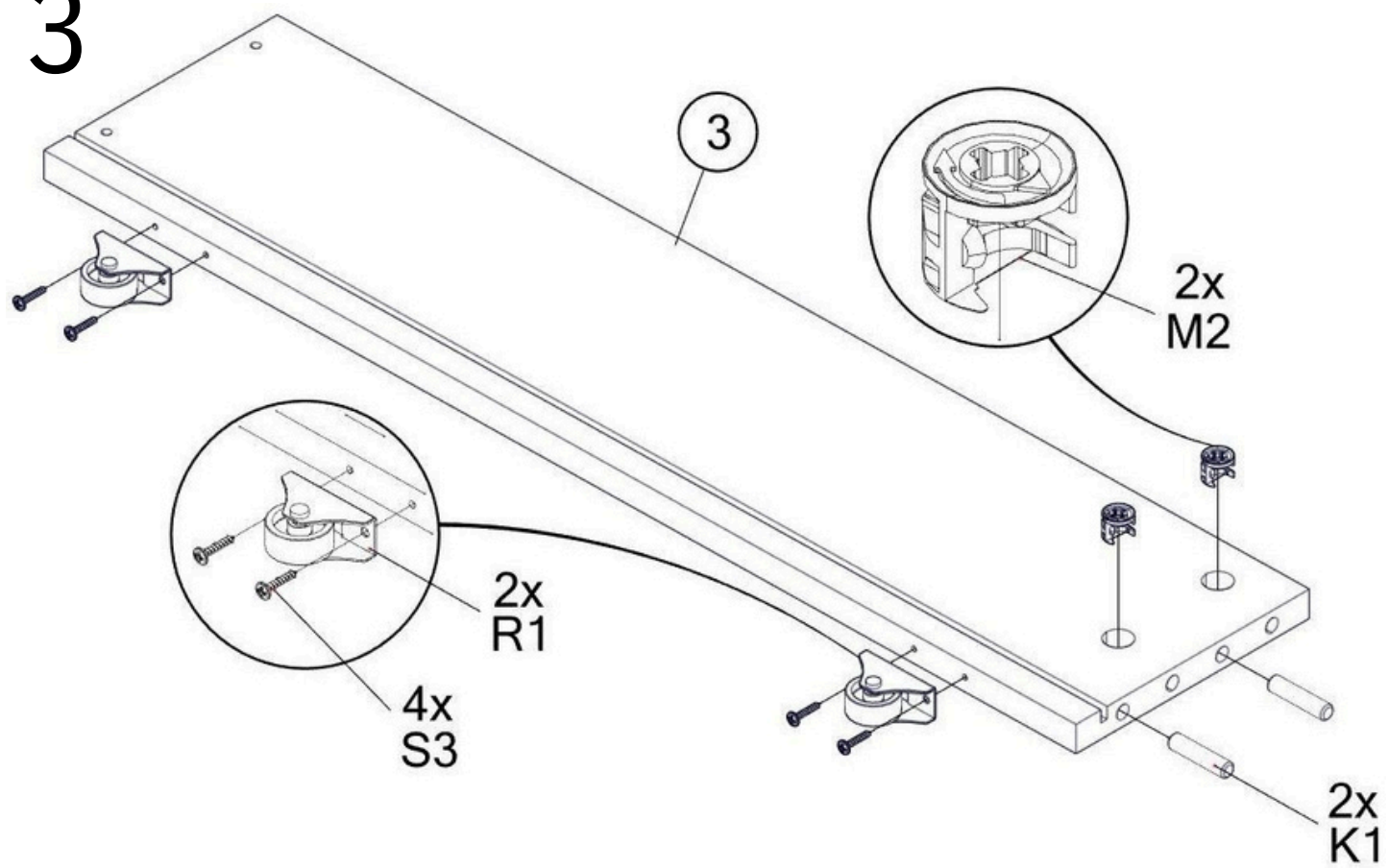
1



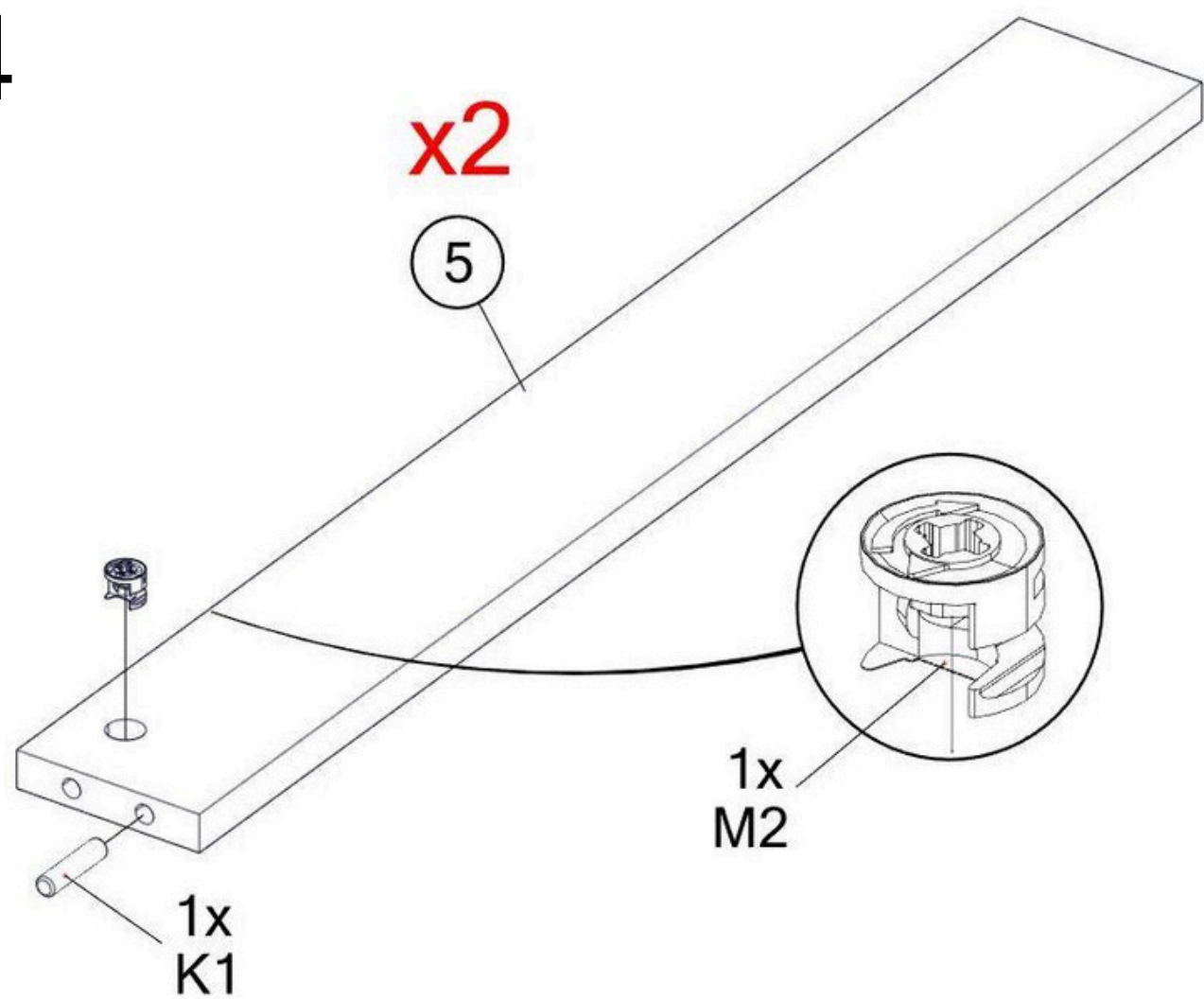
2



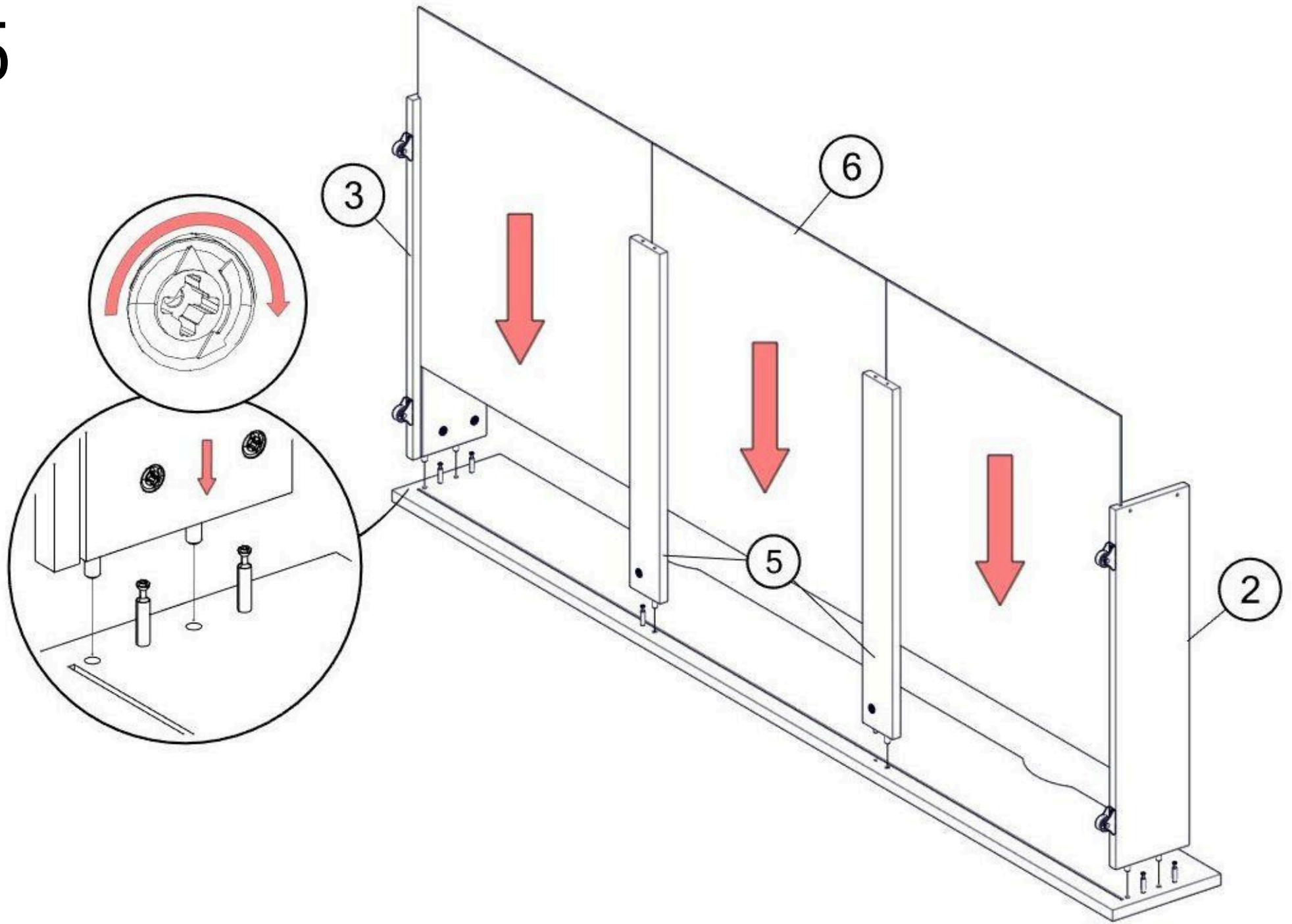
3



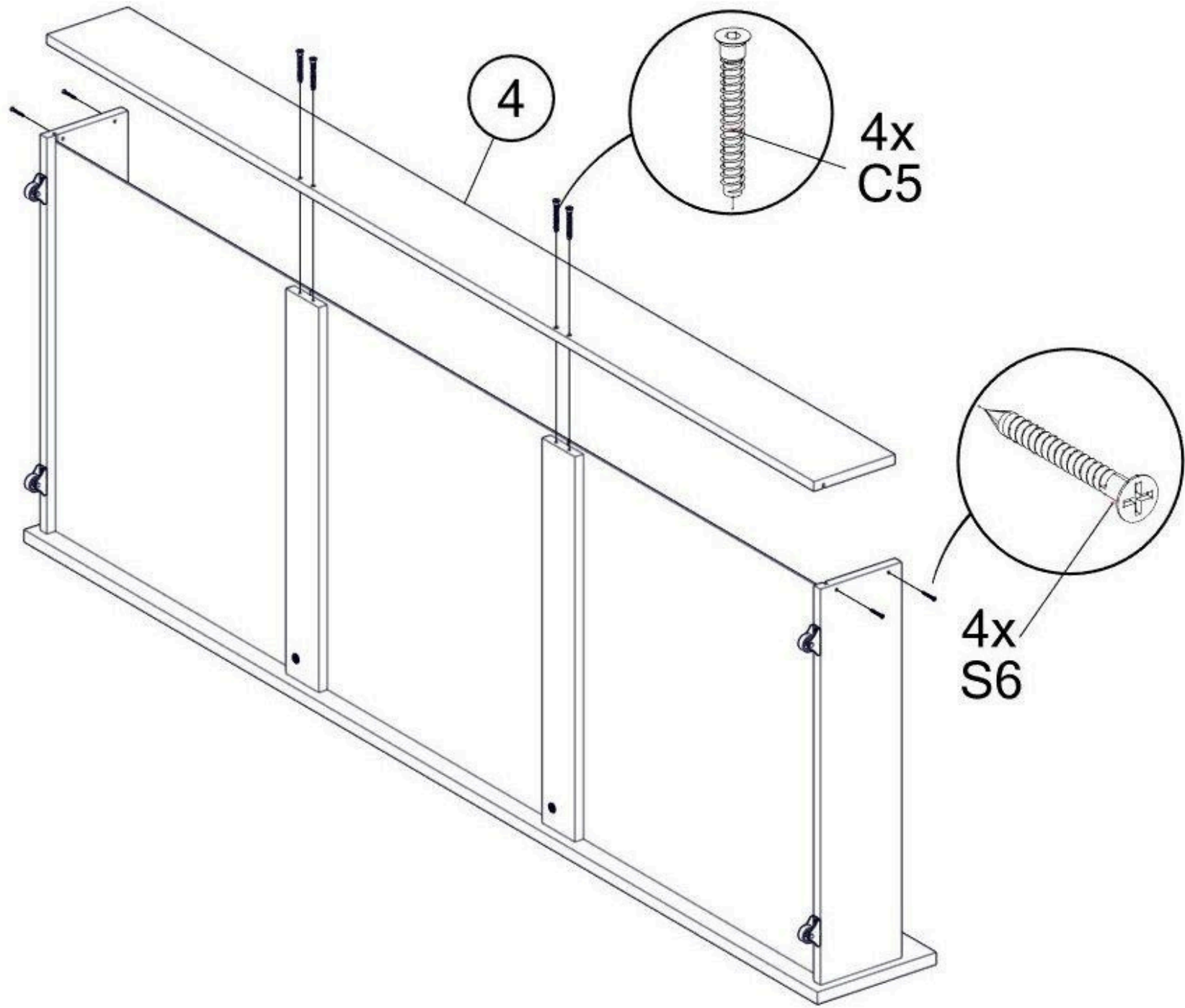
4



5



6



7

